

Charlton®



MECHANICS SEAT

MODEL NO: CMSTRT

PART NO: 7630143

USER INSTRUCTIONS

DL1122

INTRODUCTION

Thank you for purchasing this CLARKE Mechanics Seat.

Before attempting to use the product, it is essential that you read this manual thoroughly and carefully follow all instructions given. In doing so you will ensure the safety of yourself and that of others around you, and you can also look forward to the product giving you long and satisfactory service.

GUARANTEE

This CLARKE product is guaranteed against faulty manufacture for a period of 12 months from the date of purchase. Please keep your receipt as proof of purchase. This guarantee is invalid if the product is found to have been abused or tampered with in any way, or not used for its intended purpose. Faulty goods should be returned to their place of purchase, no product can be returned to us without prior permission. This guarantee does not effect your statutory rights.

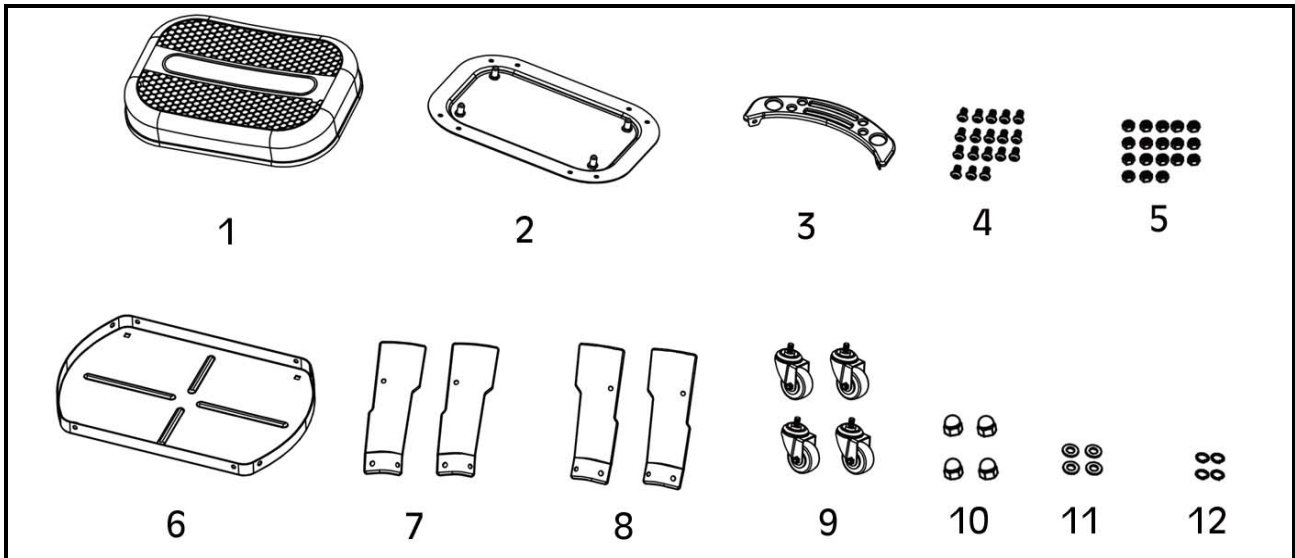
SAFETY PRECAUTIONS

1. Use your mobile seat for any task where you would normally sit or kneel. Place on level ground ensuring that the floor surface is hard enough that the castors do not sink in.
2. Use the seat as intended and in accordance with these instructions, taking into account the working conditions and the work to be performed. Use of the stool for operations different from those intended could result in a hazardous situation.
3. This product is not a toy. **DO NOT** allow children to play with or near this item and store out the reach of children.
4. Store idle equipment. When not in use this product must be stored in a dry location to inhibit rust.
5. **DO NOT** leave the mobile seat where it may accidentally become a trip hazard.
6. Inspect before every use; **DO NOT** use if parts are loose or damaged.
7. Have any damaged parts repaired or replaced immediately. Use genuine CLARKE parts only. The use of unauthorised parts may be dangerous and will invalidate the guarantee.
8. **NEVER** climb on, stand on, or attempt to ride on the mobile seat or use it to transport heavy objects.
9. **DO NOT** exceed the safe working load of the seat (136kg/300lbs).
10. **NOTE:** Be aware of dynamic loading!. Sudden shifts in the load may briefly create excess load, which may result in product failure.
11. It is recommended not to use the seat as a kneel board if you have any medical conditions with your legs or knees.
12. **WARNING: DO NOT** stand on this product. Serious injury can occur.
13. The warnings, cautions and instructions discussed in this instruction manual can't cover all possible conditions and situations that may occur. It must be understood by the operator that common sense and caution are factors which cannot be built into this product and must be supplied by the operator.

UNPACKING & ASSEMBLY

Unpack and lay out all components, checking for any damage which may have occurred during transit, and ensuring that all parts are accounted for by checking against the parts list. Should there be any deficiency or damage, please contact your CLARKE dealer immediately.

PARTS LIST



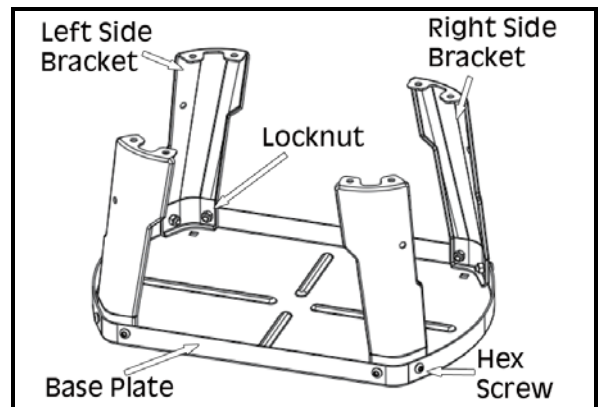
1	Seat	9	2" Castor x 4
2	Seat Chassis	10	Cap Nut x 4
3	Tool Rack	11	M8 Gasket x 4
4	5mm Hex Head Cap Screw x 18	12	Spring Washer x 4
5	M6 Locknut x 18	13	10mm (M6) Spanner (Not Shown)
6	Base Plate	14	13mm (M8) Spanner (Not Shown)
7	Left Side Bracket x 2	15	5mm Hex Key (Not Shown)
8	Right Side Bracket x 2		

ASSEMBLY

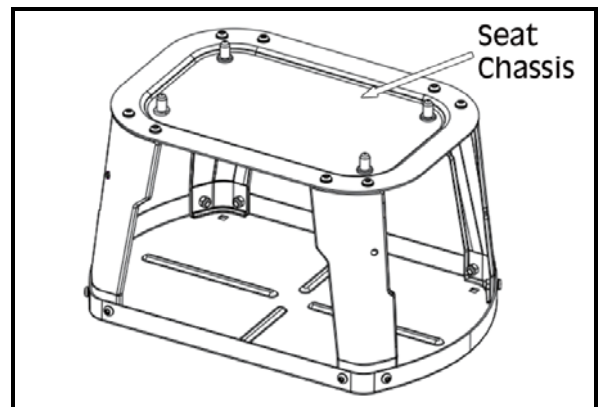
ASSEMBLY PRECAUTIONS

- Assemble only according to these instructions. Improper assembly can create hazards.
- Keep children, pets and bystanders out of the area during assembly. Distractions can cause you to lose control of tools, injuring yourself or others.
- Weight capacity and other product capabilities apply to correctly and completely assembled product only. **DO NOT** use if incomplete or incorrectly assembled.
- Assemble on a soft surface to avoid scratching or damaging the seat.

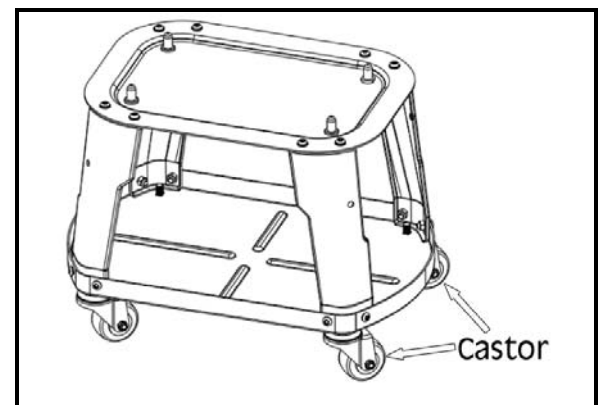
1. Install the left (7) and right (8) brackets on the base plate (6) in turn, as shown. Lock them with the hex head cap screws (4) and M6 locknuts (5).



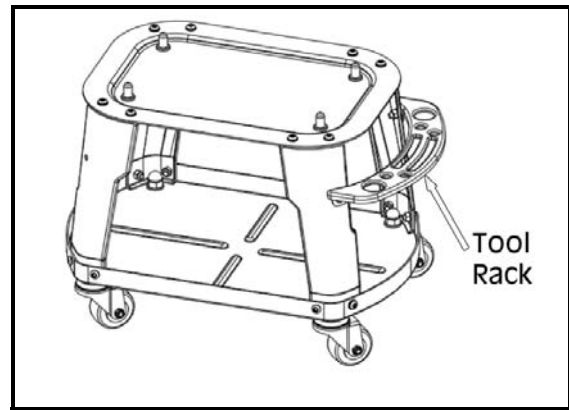
2. Install the seat chassis (2) on to the brackets (7 & 8). Lock the chassis in place using the socket head cap screws (4) and M6 locknuts (5)



3. Install the 4 castors (9) on the underside of the base plate (6), paying attention to the square clamp at the bottom of the castor thread and square hole on the base plate. Lock the castors in place using the M8 gasket (11), spring washer (12) and cap nut (10).

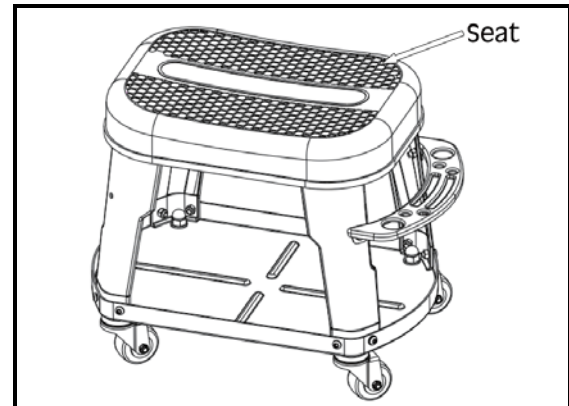


4. Install the tool rack (3) on the side of the brackets (7 & 8) as shown. Lock the rack in place using the cap screws (4) and M6 locknuts (5).



5. Place the seat (1) onto the top of the chassis (2), making sure the 4 pins in the chassis line up with the 4 indents in the underside of the seat.

- Seat is removable and can be used as a kneel board.
6. Check that all nuts are tight and secure before using this seat.



Your mobile seat is now ready for use.

MAINTENANCE

- Keep the mechanics seat clean using a soft damp cloth and a mild cleaner if required.
- Keep the castors free from dust and oil.

SPECIFICATIONS

Model Number	CMSTRT
Dimensions (D x W x H, Incl. castors)	415mm x 270mm x 345mm
Seat Area (D x W)	360mm x 260mm
Weight	6.15kg
Safe Working Load (Inc. Tools)	136kg/300lbs

OTHER PRODUCTS IN THE CLARKE RANGE

<p>Car Creepers - Multiple</p>	<p>Air Tools - Multiple</p>	<p>Mechanics Hand Tools - Multiple</p>
		
<ul style="list-style-type: none"> • Made From Tough Coated Steel & Oil Resistant Vinyl • Ideal for Hobby, DIY, Semi Professional or Professional • Part No.: See CLARKE Website 	<ul style="list-style-type: none"> • Assortment of Tools, Compressors and Equipment • Spray Guns, Airlines, DIY Tools, Professional Garage Tools • Part No.: See CLARKE Website 	<ul style="list-style-type: none"> • Socket Sets, Panel Beating Sets, Diagnostic Tools • Ideal for use in the Garage or Workshop • Part No.: See CLARKE Website
<p>Tool Boxes & Cabinets - Multiple</p>	<p>Vehicle Jacks - Multiple</p>	<p>Battery Chargers & Jumpstarters - Multiple</p>
		
<ul style="list-style-type: none"> • From Portable Tool Boxes to Modular Garage Storage Systems • Part No.: See CLARKE Website 	<ul style="list-style-type: none"> • Suitable to lift 2 Tonne to 20 Tonne • Bottle Jacks, Trolley Jacks, Farm Jacks • Part No.: See CLARKE Website 	<ul style="list-style-type: none"> • From Small Micro Jumpstarters to Heavy Duty Professional Starters • Part No.: See CLARKE Website

VISIT: WWW.CLARKEINTERNATIONAL.COM FOR MORE INFORMATION

A SELECTION FROM THE VAST RANGE OF

Clarke®

QUALITY PRODUCTS



AIR COMPRESSORS
From DIY to industrial, Plus air tools, spray guns and accessories.

GENERATORS
Prime duty or emergency standby for business, home and leisure.

POWER WASHERS
Hot and cold, electric and engine driven - we have what you need

WELDERS
Mig, Arc, Tig and Spot. From DIY to auto/industrial.

METALWORKING
Drills, grinders and saws for DIY and professional use.

WOODWORKING
Saws, sanders, lathes, mortisers and dust extraction.

HYDRAULICS
Cranes, body repair kits, transmission jacks for all types of workshop use.

WATER PUMPS
Submersible, electric and engine driven for DIY, agriculture and industry.

POWERTOOLS
Angle grinders, cordless drill sets, saws and sanders.

STARTERS/CHARGERS
All sizes for car and commercial use.



PARTS & SERVICE: 0208 988 7400

Parts Enquiries
Parts@clarkeinternational.com

Servicing & Technical Enquiries
Service@clarkeinternational.com

SALES: UK 01992 565333 or Export 00 44 (0)1992 565335

Clarke® INTERNATIONAL Hemnall Street, Epping, Essex CM16 4LG
www.clarkeinternational.com